



Technical Data // Series 3003

Switching Test Probe 125 mil / 3.18 mm - Switching Travel 0.65 mm

HIGHLIGHTS

Use without receptacle, collar on housing

Switching travel 0.65 mm

High soldering temperature up to 300°C

MECHANICAL DATA

Center	3.18 mm/125 mil
Temperature range	-30 °C - +120 °C
Full travel	7.5 mm
Working travel	5.00 mm
Switching travel	0.65 mm
Pre-loaded spring force	0.40 N
Spring force at working travel	1.15 N
Spring force at switching travel	0.55 N

ELECTRICAL DATA

Max. current rating	4.5 A
Typical continuity resistance	≤ 15 mOhm
Typical insulating voltage	1000 V

MATERIALS

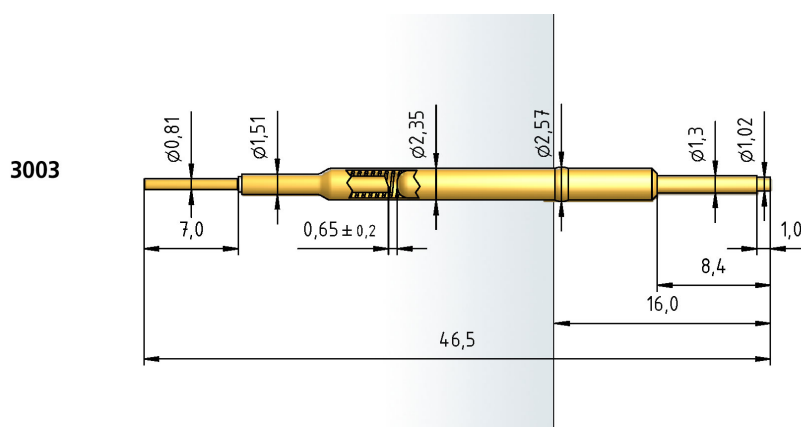
Barrel	Bronze, gold-plated
Spring	Steel Wire, gold-plated
Plunger	CuBe, gold-plated
Connect pin	CuBe, gold-plated

TIP STYLE - DIAMETER - PLATING



F

1.02C Au





PTR HARTMANN

A Phoenix Mecano Company

Technical Data // Series 3003

Switching Test Probe 125 mil / 3.18 mm - Switching Travel 0.65 mm

HOW TO ORDER

<u>3003</u>	-	<u>F</u>	-	<u>1.15 N</u>	-	<u>Au</u>	-	<u>1.02</u>	<u>C</u>
<u>1</u>		<u>2</u>		<u>3</u>		<u>4</u>		<u>5</u>	<u>6</u>

1. Series 2. Tip Style 3. Spring Force

4. Tip Plating 5. Tip Diameter 6. Tip Material (only for CuBe)