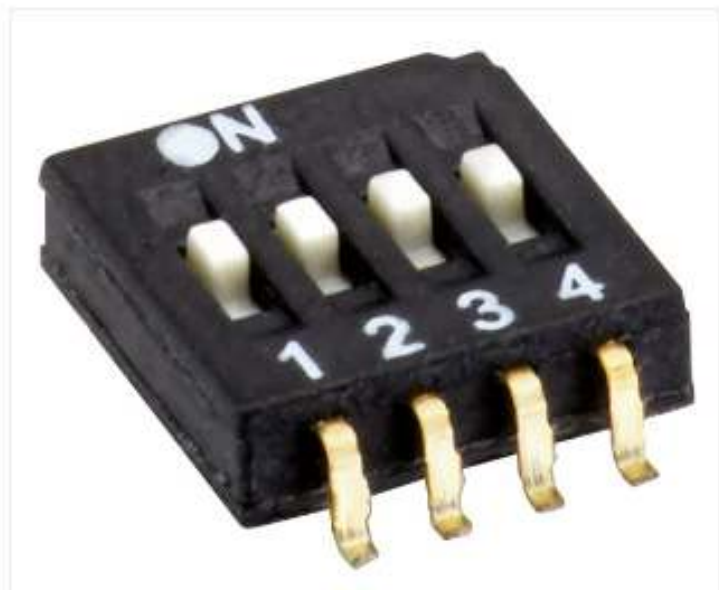
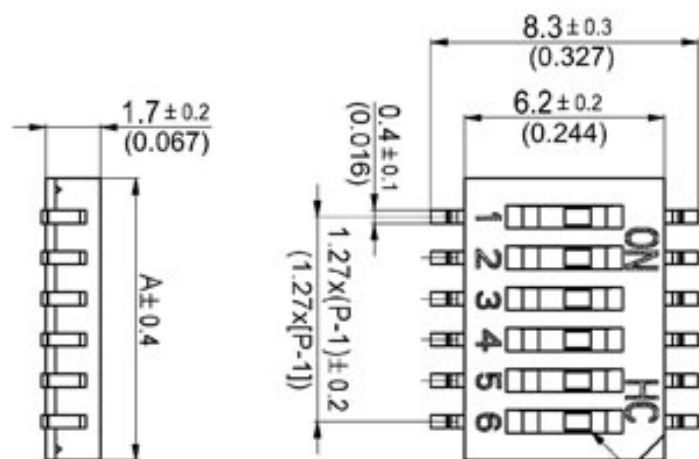




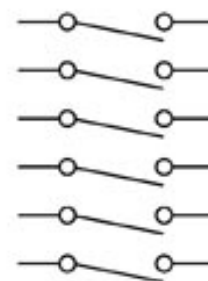
D15AS



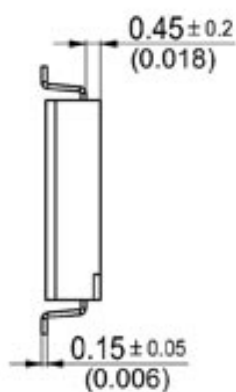
- 1.27 mm pitch
- 1.7 mm height
- Gold plated contacts
- Delivery in ON- or OFF-position available
- Available with tape for automated assembly
- Reflow soldering



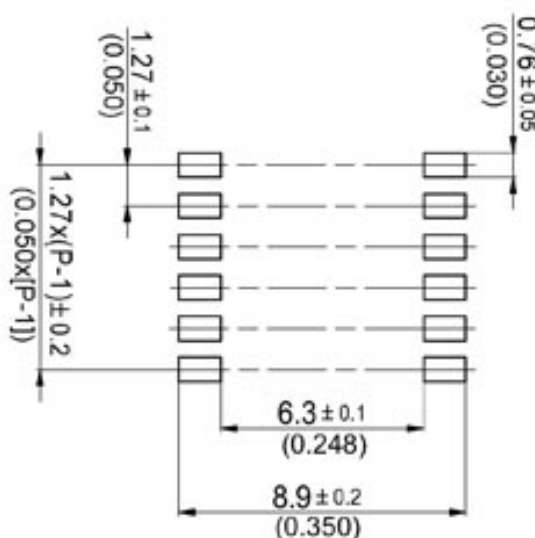
Einheit / Unit: mm (inch)



Schaltbild
Circuit diagram



Betätiger auf "ON" Position
Actuator in "ON" position



Leiterplatten - PCB - Layout
(Top view)

Mechanical Data**Electrical Data****Material**

Fixation mode	SMT
Type	horizontal
Switching positions	2
Pitch of solderpins	1.27 mm
Switching mode	Contact wiping on make and break
Contact form	SPST
Mechanical lifetime	1.000 operations
Operating force	8.0 N
Operating temperature	-40 °C ... +85 °C
Storage temperature	-40 °C ... +85 °C
Humidity	95 %RH, 40 °C, 96 h
Vibration	10 Hz - 55 Hz, 6 h
Reflow soldering	JDEC J-STD-020 E

Mechanical Data**Electrical Data****Material**

Switching voltage	24.0 V
Operating current max.	25.0 mA
Standby current	100.0 mA
Test voltage	300.0 VAC min. / 60.0 s
Contact resistance initial	100.0 mΩ
Capacity between adjacent switches	5.0 pF max.

Mechanical Data**Electrical Data****Material**

Housing	UL 94V-0
Solder pins	Au flash
Contact plating	gold plated